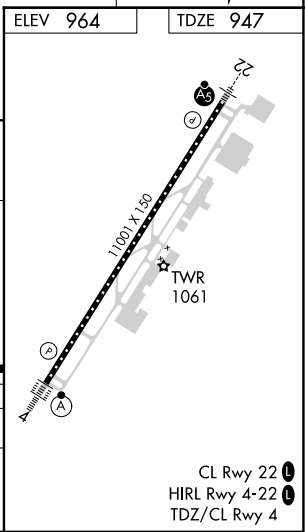
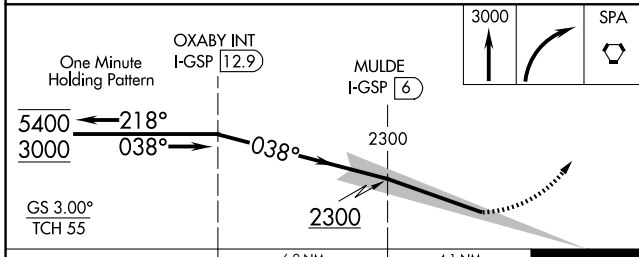
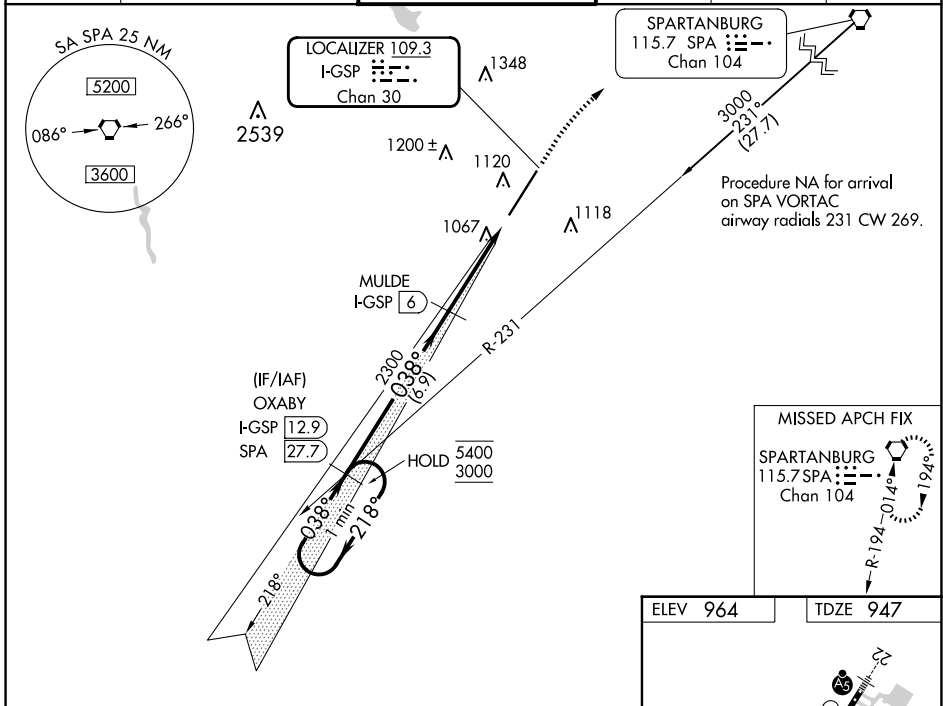


LOC/DME I-GSP <b>109.3</b> Chan 30	APP CRS <b>038°</b>	Rwy Idg <b>11001</b> TDZE <b>947</b> Apt Elev <b>964</b>
--	------------------------	--

# ILS RWY 4 (SA CAT I)

GREENVILLE SPARTANBURG INTL (GSP)

DME required.		ALSF-2		MISSED APPROACH: Climb to 3000 then right turn direct SPA VORTAC and hold.	
Requires specific OPSPEC, MSPEC, or LOA approval and use of HUD to DH. Procedure NA when control tower closed.					
ATIS <b>134.25</b>	GREER APP CON* <b>118.8 270.275</b>	GREER TOWER* <b>120.1 (CTAF) 251.15</b>	GND CON <b>121.9</b>	CLNC DEL <b>121.9</b>	UNICOM <b>122.95</b>



CATEGORY	A	B	C	D
S-ILS 4	RA 258/14		150 DA 1097	

**SA CATEGORY I ILS - SPECIAL AIRCREW & AIRCRAFT CERTIFICATION REQUIRED**

SE-2, 16 APR 2026 to 14 MAY 2026

SE-2, 16 APR 2026 to 14 MAY 2026