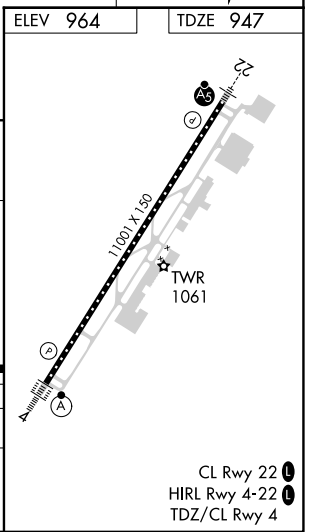
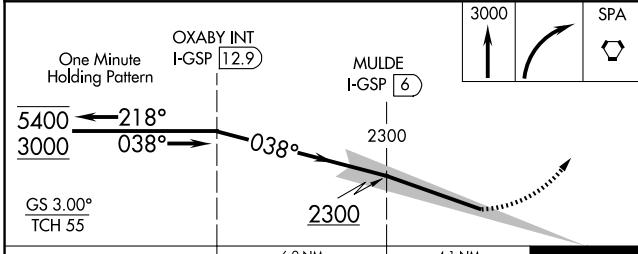
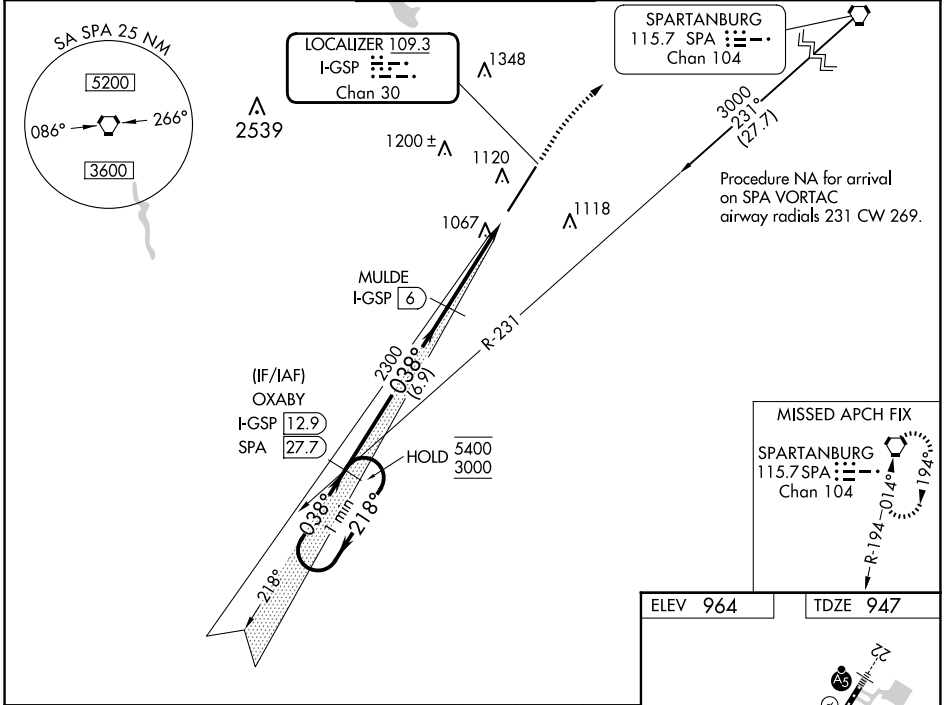


LOC/DME I-GSP <b>109.3</b> Chan 30	APP CRS <b>038°</b>	Rwy Idg <b>11001</b> TDZE <b>947</b> Apt Elev <b>964</b>
------------------------------------------	------------------------	----------------------------------------------------------------

# ILS RWY 4 (SA CAT I)

GREENVILLE SPARTANBURG INTL (GSP)

DME required.		ALSF-2	
Requires specific OPSPEC, MSPEC, or LOA approval and use of HUD to DH. Procedure NA when control tower closed.		MISSED APPROACH: Climb to 3000 then right turn direct SPA VORTAC and hold.	
ATIS <b>134.25</b>	GREER APP CON* <b>118.8 270.275</b>	GREER TOWER* <b>120.1(CTAF) 251.15</b>	GND CON <b>121.9</b>
			CLNC DEL <b>121.9</b>
			UNICOM <b>122.95</b>



CATEGORY	A	B	C	D
S-ILS 4	RA 258/14		150 DA 1097	

**SA CATEGORY I ILS - SPECIAL AIRCREW & AIRCRAFT CERTIFICATION REQUIRED**

SE-2, 11 JUN 2026 to 09 JUL 2026

SE-2, 11 JUN 2026 to 09 JUL 2026